



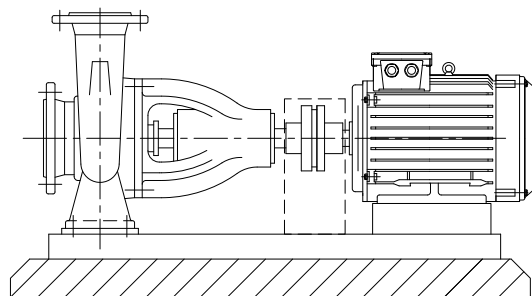
LDP & LDP-X End Suction Pumps

DP 
PUMPS
DRAKOS · POLEMIS

Fields of application

Water supply	Cooling water
Fire-fighting systems	Swimming pool water
Sprinkling	Sea water
Irrigation	Fire-fighting water
Drainage	Brackish water
Heating	Condensate
Air-con systems	Brine
Drinking water	Oils
Service water	Cleaning agents
Hot water	

The components are factory-standardized. The major components of the horizontal LDP, LDP-X range are also used in the vertical configurations for dry or wet sump installations and to some extent for the vertical floor mounted and close coupled mono-bloc types DP-block.



Standard horizontal installation

Operating data

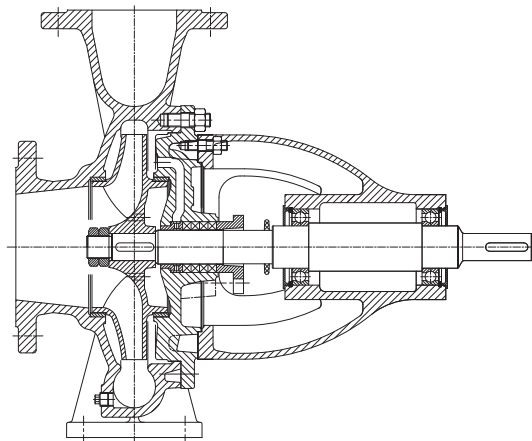
Q up to 2000 m³/h

H up to 100 m

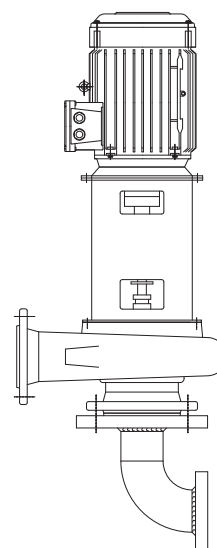
Temperature -30 °C to +140 °C

Pressure up to 16 bar

Construction

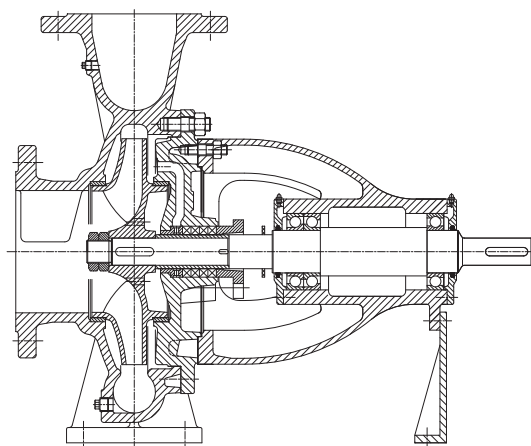


Type LDP

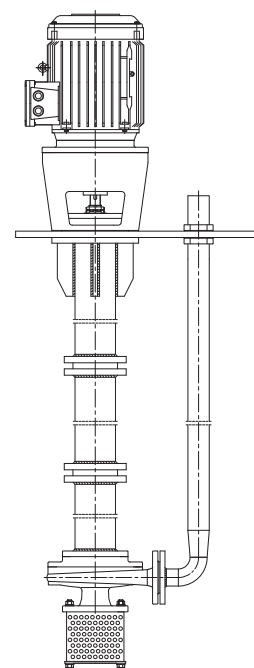


Direct vertical installation (VD)

Pumps of the LDP, LDP-X series are horizontal volute casing centrifugal pumps. The principal dimensions and performance data of LDP type comply with DIN 24255. LDP-X type is outside of the official DIN-Norm. Dimensions can differ from other suppliers.



Type LDP-X

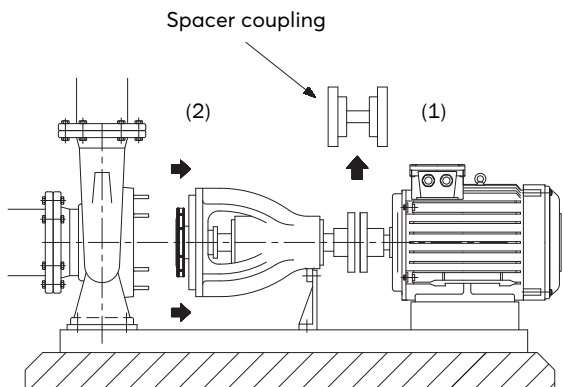


Vertical wet sump installation (VW)

LDP, LDP-X pumps are used primarily for handling clean or slightly abrasive media. The liquid should not contain any coarse or highly abrasive solids in order to prevent operational problems and premature wearwear, imposed by the operating conditions of the pump.

The suction and discharge flanges are according to DIN 2501 PN 10 or 16. All pumps are dynamically balanced according to ISO 1940 class G 6.3 and the pump axial thrust is hydraulically balanced.

Due to the pump design the complete bearing assembly including impeller and shaft seal can be dismantled without removing the volute casing from the pipe system (back-pull-out system).



Casing and impeller can be fabricated from special materials, e. g. zinc-free bronze G-CuSn, SG iron GGG 40, or Stainless Steel 1.4408. With casing pressures of up to 16 bar, details on application.

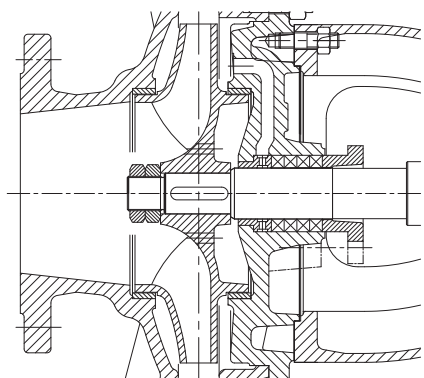
Casing/Impeller

The pump casing is of the volute type fitted with a suction side wear ring. If required, e.g. as part of subsequent repair work, the gland/seal housing can easily be machined for a delivery side wearing ring, too.

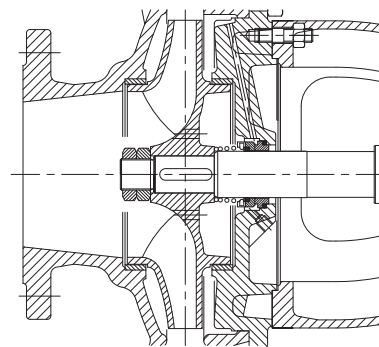
All impellers are dynamically balanced and hydraulically relieved by means of compensating bores.

Shaft and bearings

Pump with overhung bearing housing to DIN 24255. Shaft rotates in grease lubricated anti friction bearings. Re-greasing by funnel-type grease nipple. If required, the bearing housing can be equipped with a support foot at the drive end. A bearing pedestal is available for heavy duty drive applications, e.g. V-belts.



Stuffing box with gland packing



Stuffing box with mechanical seal

The standard arrangement is a packed gland for temperatures up to 110 °C.

For temperatures up to 140 °C a drip-tight maintenance free mechanical seal, according to DIN 24960 dimensions. Back-to-back double mechanical shaft seals, and "quench", are available for all variants on request.

An internal by-pass connects the pump casing with the stuffing box to ensure lubrication of the gland packing. When pumping from a vacuum tank or where the liquid to be pumped contains abrasive particles it is preferable to feed the stuffing box with an external sealing liquid. In this event the internal by-pass will be plugged.

Base frame

Pump and motor mounted on fabricated steel base frame which must be fixed with foundation bolts on a concrete base and subsequently grouted in. Base frames are constructed from welded profile sections.

Coupling

Two-component flexible coupling without spacer or Three-component flexible coupling with spacer. This coupling allows the removal of the pump rotor without the need for disconnecting the motor and pipe-work. If the pump housing, motor or the entire unit is moved, alignment is always necessary.

All couplings are supplied with a guard.

Motor

Pump direct driven by standard B3 foot mounted motor through flexible coupling.

Direction of rotation is clockwise looking at the pump shaft end. For maximum permissible speeds, depending on electric motors with 50 or 60 cycles supply, refer to page 4.

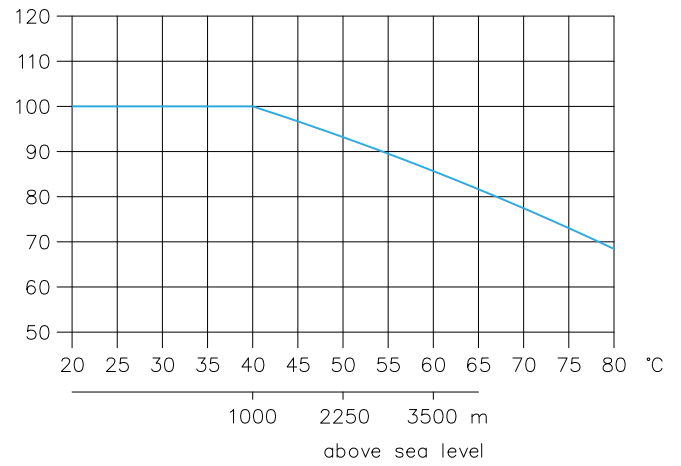
Mounting designation	B3 (IM 1001)
Enclosure class	IP 55
Insulation class	F
Ambient temperature	Max. 40°C
Voltages	3 x 220-240/380-415 V

Selection of motors

The power required to achieve the requested duty point can be found by means of the power chart below the performance chart. Find the power curve corresponding to the required QH-value (or interpolate between curves).

When deciding the motor size a safety margin acc. ISO 5199 must be added.

Motor load %



Safety margins according to ISO 5199

Up to required pump shaft power: [kW]	Use motor output P ₂ : [kW]	Up to required pump shaft power: [kW]	Use motor output P ₂ : [kW]
322	355	15.9	18.5
286	315	12.8	15
227	250	9.1	11
181	200	6.1	7.5
145	160	4.3	5.5
120	132	3.2	4
100	110	2.3	3
81	90	1.7	2.2
68	75	1.1	1.5
49	55	0.81	1.1
40	45	0.55	0.75
32.5	37	0.40	0.55
26	30	0.27	0.37
19	22	0.18	0.25

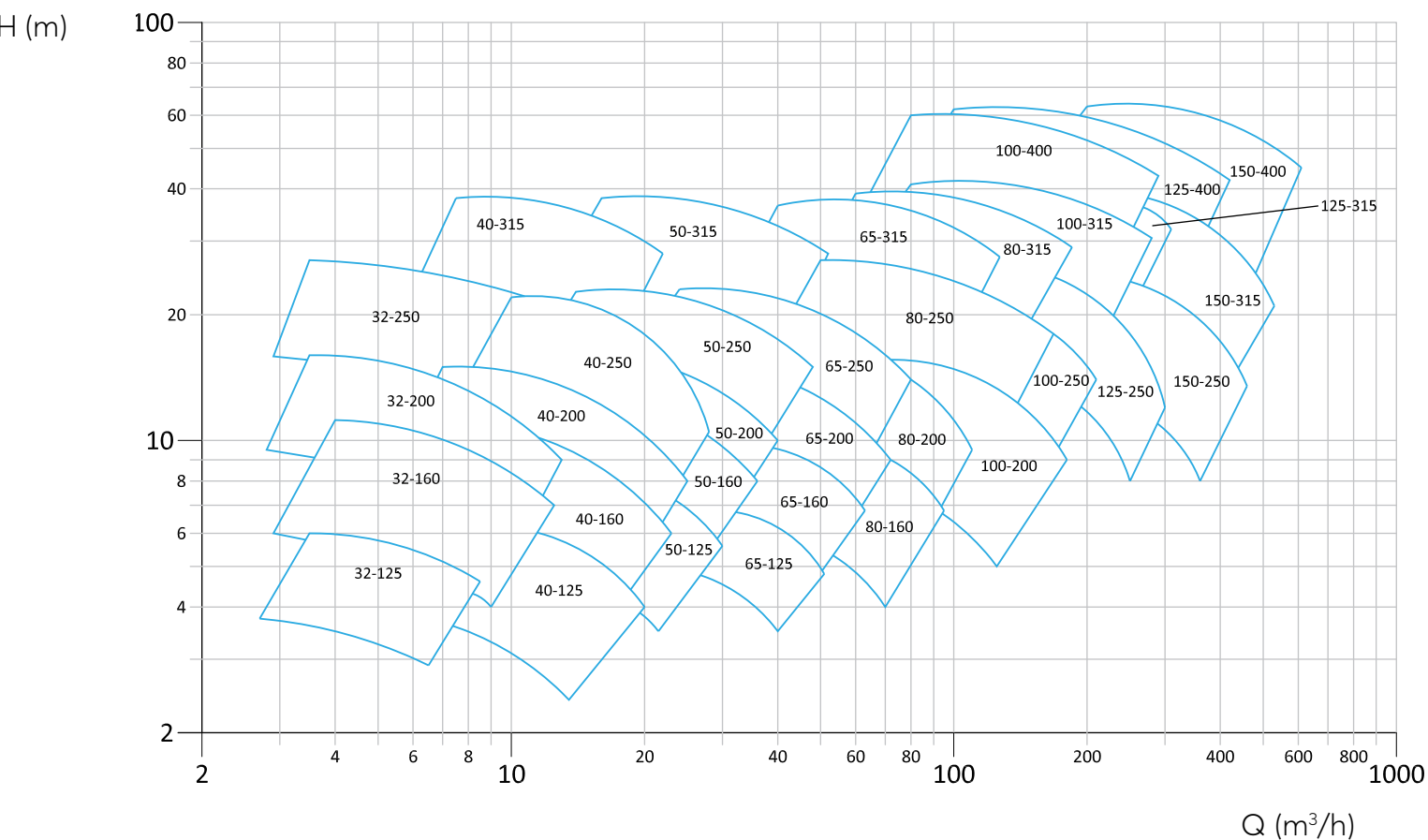
Ambient temperature

Up to +40°C.

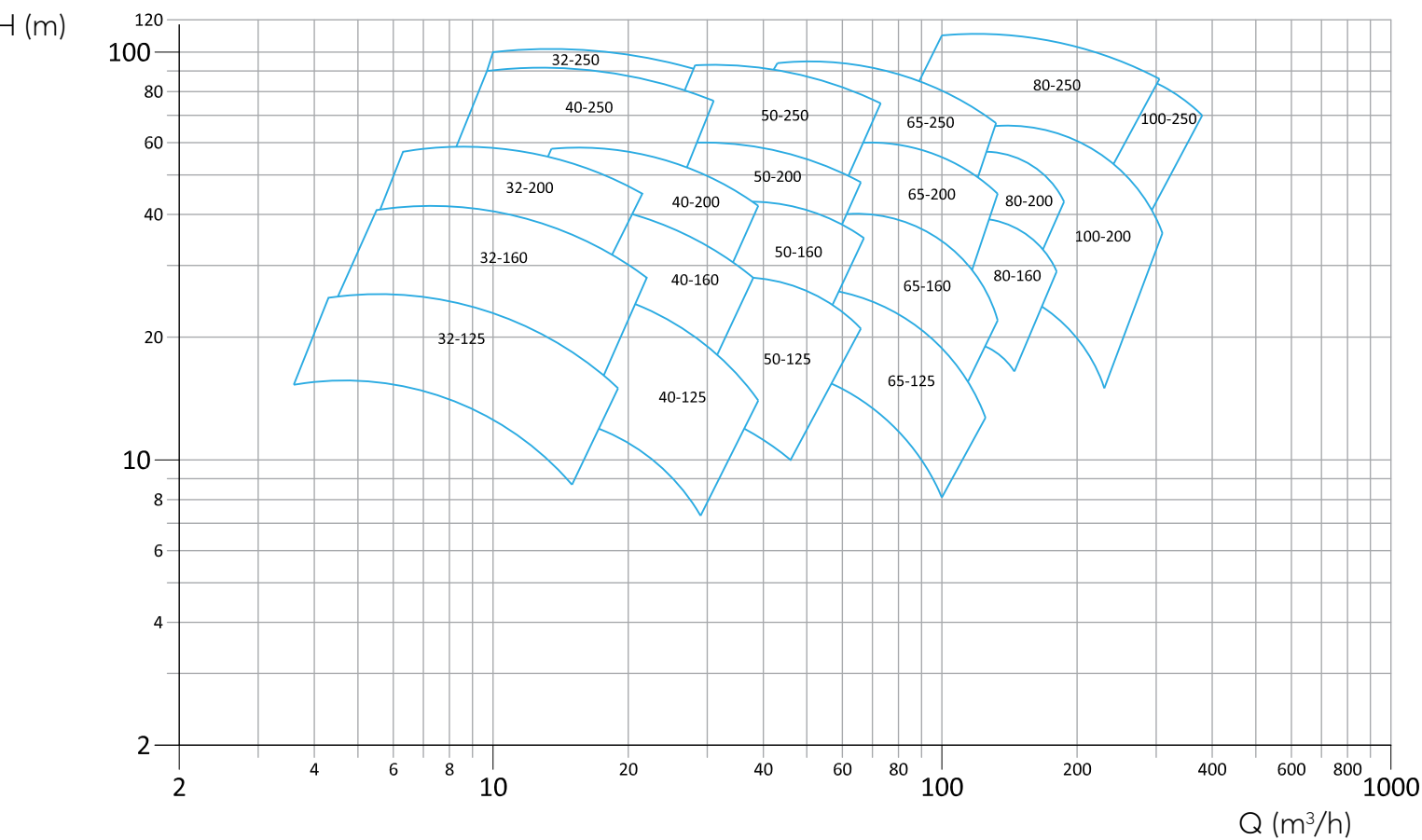
Due to the low density and consequent low cooling effect of the air, operation at an ambient temperature above 40 °C or at an altitude exceeding 1000 m above sea level requires a reduction of the rated motor load.

Performance Curves

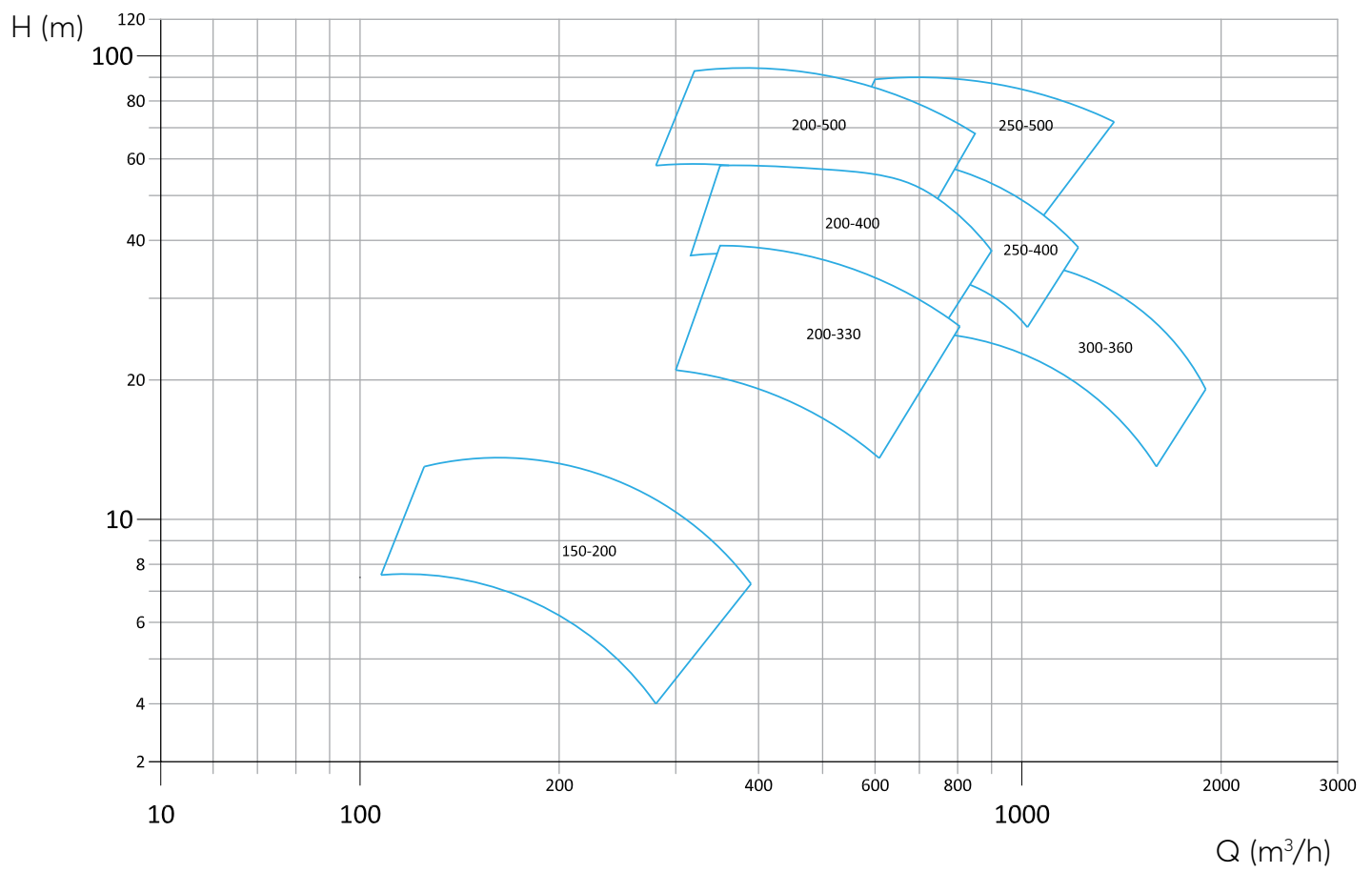
LDP - 1450 RPM



LDP - 2900 RPM



LDP-X - 1450 RPM



Range (Type LDP)

Pump type	Maximum permissible working pressure ¹⁾				Max. permissible pump speed ⁴⁾	Max. permissible power absorbed kW ²⁾			
	Temp. -20 °C up to 110 °C		Temp. 110 °C up to 140 °C			1450 min ⁻¹	1750 min ⁻¹	2900 min ⁻¹	3500 min ⁻¹
	Volute material								
	GG 25 cast iron bar	G-CuSn10 bronze bar	GG 25 cast iron bar	G-CuSn10 bronze bar	min ⁻¹				
32-125	10	8	8	6	3600	3,3	4	6,6	8
32-160	10	8	8	6	3600	3,3	4	6,6	8
32-200	10	8	8	6	3600	14,5	17,7	29	35
32-250	10	8	8	6	3600 ³⁾	14,5	17,7	29	35
40-125	10	8	8	6	3600	3,3	4	6,6	8
40-160	10	8	8	6	3600	14,5	17,7	29	35
40-200	10	8	8	6	3600	14,5	17,7	29	35
40-250	10	8	8	6	3600 ³⁾	14,5	17,7	29	35
40-315	10	8	8	6	1800	49	59,8		
50-125	10	8	8	6	3600	14,5	17,7	29	35
50-160	10	8	8	6	3600	14,5	17,7	29	35
50-200	10	8	8	6	3600	14,5	17,7	29	35
50-250	10	8	8	6	3600 ³⁾	14,5	17,7	29	35
50-315	10	8	8	6	1800	49	59,8		
65-125	10	8	8	6	3600	14,5	17,7	29	35
65-160	10	8	8	6	3600	14,5	17,7	29	35
65-200	10	8	8	6	3600	14,5	17,7	29	35
65-250	10	8	8	6	3600 ³⁾	49	59,8	98	118
65-315	10	8	8	6	1800	49	59,8		
80-160	10	8	8	6	3600	14,5	17,7	29	35
80-200	10	8	8	6	3600	49	59,8	98	119
80-250	10	8	8	6	3000	49	59,8	98	
80-315	10	8	8	6	1800	49	59,8		
100-200	10	8	8	6	3600	49	59,8	98	118
100-250	10	8	8	6	3000	49	59,8	98	
100-315	10	7	6	4	1800	49	59,8		
100-400	10	7	6	4	1800 ³⁾	120	146		
125-250	10	7	6	4	1800	49	59,8		
125-315	10	7	6	4	1800	120	146		
125-400	10	7	6	4	1800 ³⁾	120	146		
150-250	10	7	6	4	1800	49	59,8		
150-315	10	7	6	4	1800	120	146		
150-400	10	7	6	4	1800 ³⁾	120	146		

1) The maximum permissible working pressure includes the pressure at the suction branch (positive suction head) and the maximum generated head at zero flow (closed valve).

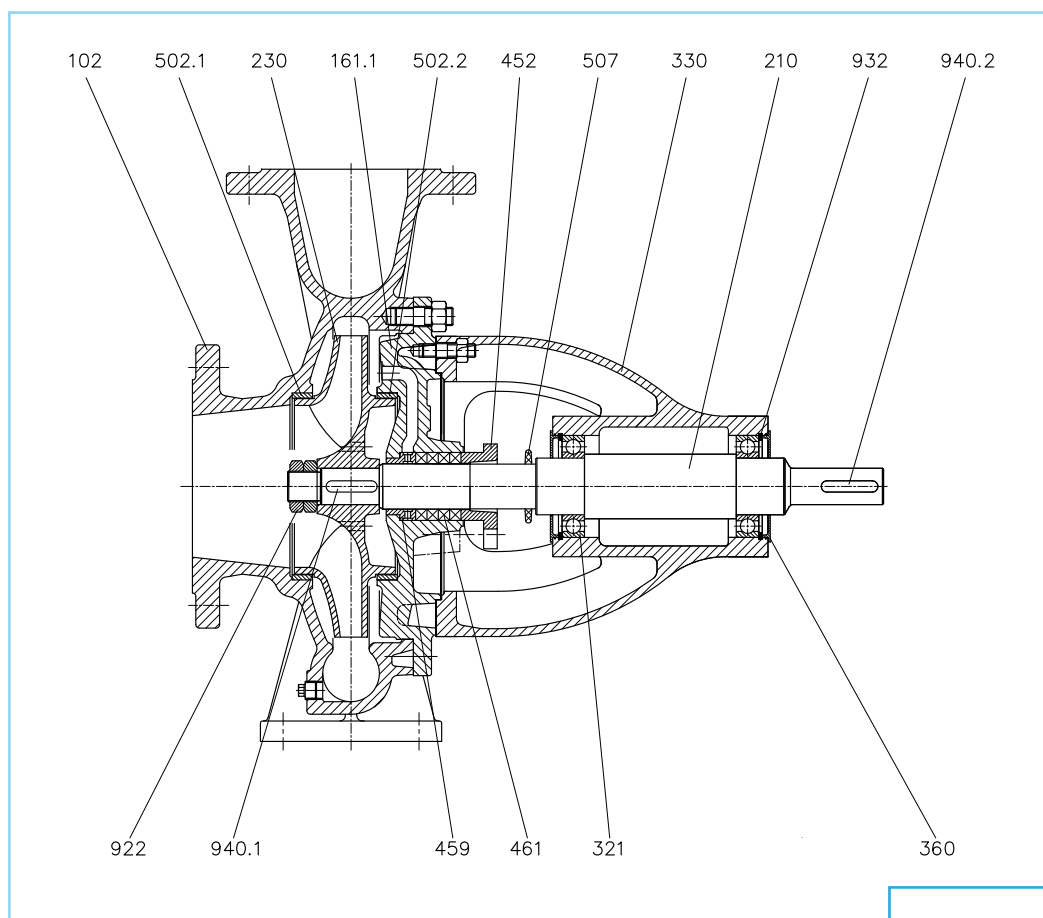
2) If pumps are driven by direct coupled diesel/petrol engines the permissible kW ratings must be reduced by 20%. This also applies to pumps filled with 1.4401 stainless steel shafts. If the power absorbed by the pump is already at or near the maximum figure then only a nominal motor kW margin is allowed.

3) Pump output / head at 60 Hz speeds must not exceed the maximum values shown on the corresponding 50 Hz curves.

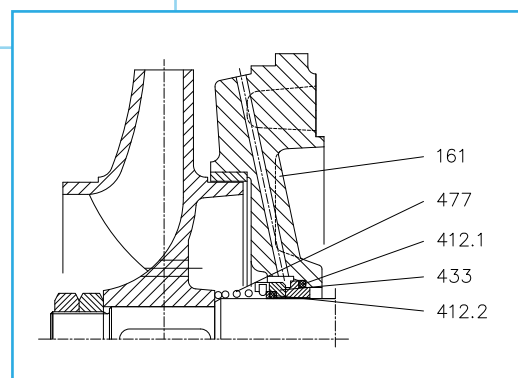
4) Maximum speeds shown apply to pumps driven via a flexible coupling (direct from motor or stub shaft with plummer blocks). Applications involving overhung pulleys must be referred to our works specifying the proposed performance data.

Applications involving higher pressures and different casing materials must be referred to our works.

Type LDP



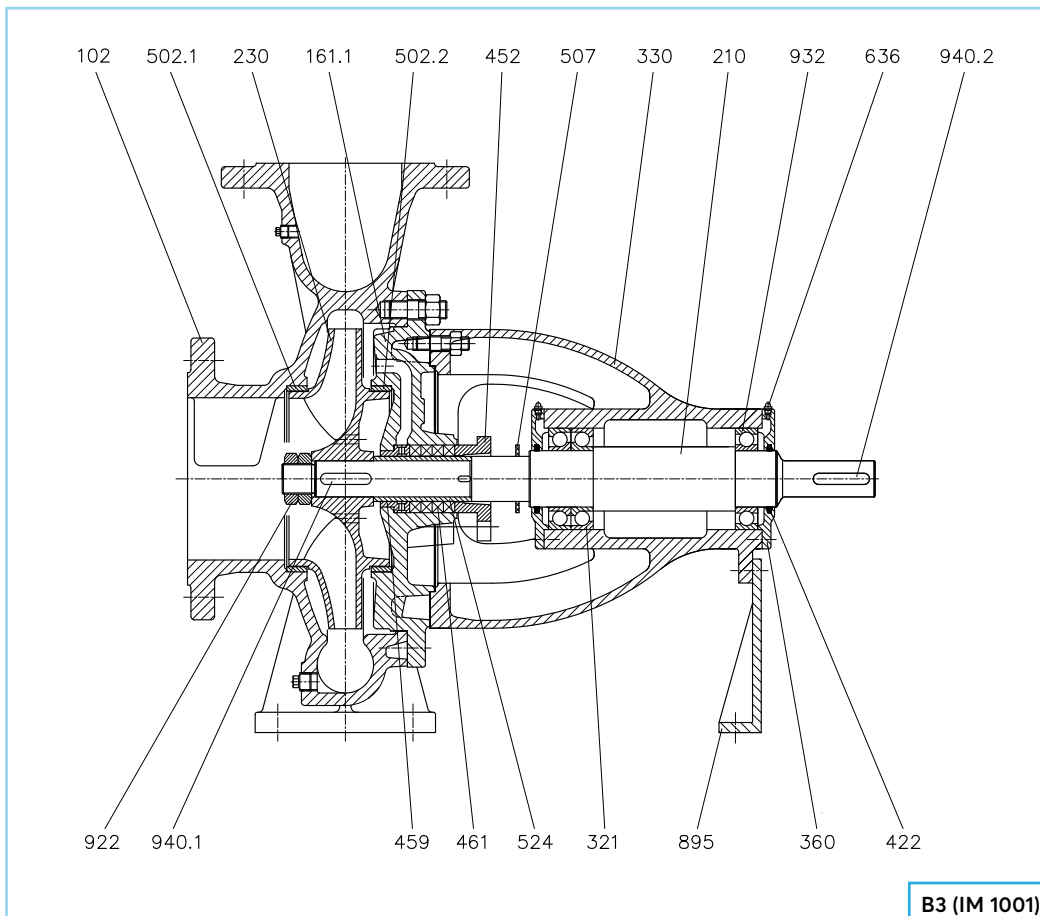
LDP type sectional view (gland packing)



Detail for mechanical seal

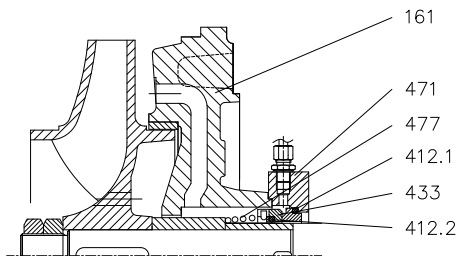
Part number to VDMA	Part name	Part number to VDMA	Part name
102	Casing	452	Stuffing box gland
161	Casing cover	459	Stuffing box bushing
210	Shaft	461	Stuffing box packing
230	Impeller	477	Spring
321	Ball bearing	502	Wear ring
330	Bearing bracket	507	Deflector
360	Bearing cover	922	Impeller nut
412	Casing O-ring	932	Retaining ring for bores
433	Mechanical seal	940	Key

Type LDP-X



LDP-X type sectional view (gland packing)

B3 (IM 1001)

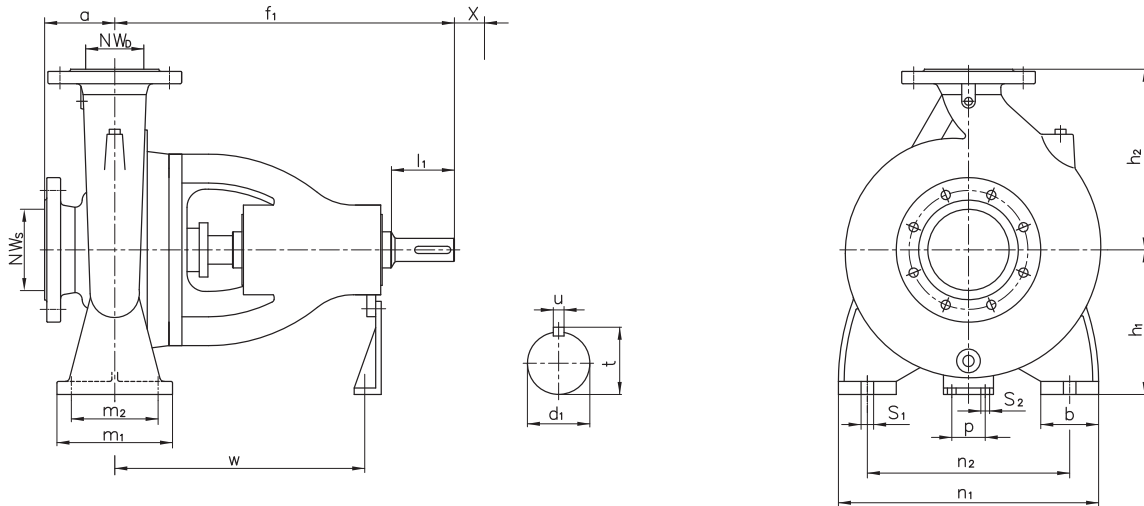


Detail for mechanical seal

Part number to VDMA	Part name	Part number to VDMA	Part name
102	Casing	461	Stuffing box packing
161	Casing cover	471	Seal cover
210	Shaft	477	Spring
230	Impeller	502	Wear ring
321	Ball bearing	507	Deflector
330	Bearing housing	524	Shaft sleeve
360	Bearing cover	636	Grease nipple
412	O-Ring	895	Supporting foot
422	Sealing ring	922	Impeller nut
433	Mechanical seal	932	Retaining ring for bores
452	Stuffing box gland	940	Key
459	Stuffing box bushing		

Bare shaft pump dimensions

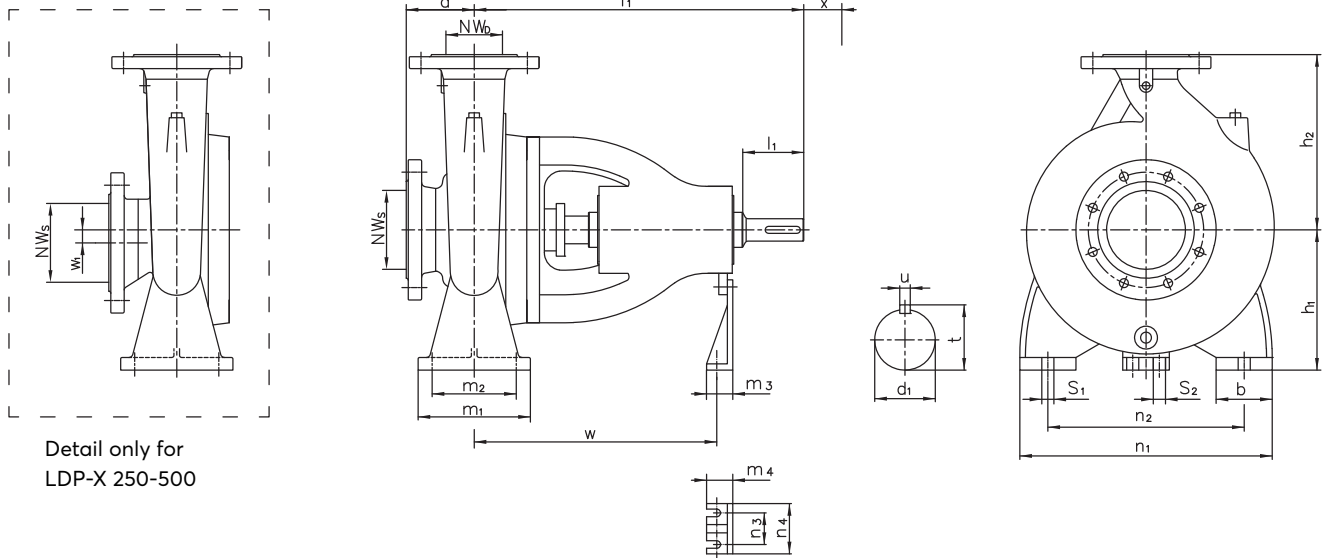
Type LDP



Pump size	Dimensions (mm)																													
	NW_S	NW_D	Length		Height		Feet & support mounting details							Shaft end				x^*												
			a	f_1	h_1	h_2	b	m_1	w	p	S_1	m_2	n_1	n_2	S_2	d_1	l_1		t	u										
32-125	50	32	80	360	112	140	50	100	260	110	M12	70	190	140	14	24	50	27	8	110										
32-160					132	160							70	240							190	80								
32-200					160	180							95	320							250	100								
32-250	65	40	100	360	180	225	65	125	330	110	M12	95	320	250	14	24	50	27	8	100										
40-125					112	140	70	240					190	110																
40-160					132	160	70	240					190	85																
40-200	65	40	100	360	160	180	50	100	260	110	M12	70	265	212	14	24	50	27	8	100										
40-250					180	225							95	320							250	110								
40-315					125	470							225	250							65	125	330	345	280	32	80	35	10	105
50-125	65	50	100	360	132	160	50	100	260	110	M12	70	240	190	14	24	50	27	8	120										
50-160					160	180							70	265							212	90								
50-200					180	225							95	320							250	100								
50-250	65	50	100	360	180	225	50	100	260	110	M12	70	320	250	14	24	50	27	8	110										
50-315					125	470							225	280							65	125	330	345	280	32	80	35	10	105
65-125					80	65							100	360							160	180	50	100	260	110	M12	70	280	212
65-160	180	200	95	320			250	100																						
65-200	180	225	95	320			250	100																						
65-250	80	65	100	360	200	250	80	160	330	110	M16	120	360	280	14	32	80	35	10	120										
65-315					225	280							95	400							315	105								
80-160					100	80							125	360							180	225	65	125	260	110	M12	95	320	250
80-200	225	250	95	345			280	150																						
80-250	225	280	95	400			315	125																						
80-315	125	80	125	470	250	315	80	160	330	110	M16	120	400	315	14	32	80	35	10	130										
100-200					200	280							95	360							280	155								
100-250					225	280							95	400							315	140								
100-315	125	100	125	470	250	315	80	160	330	110	M16	120	400	315	14	32	80	35	10	140										
100-400					530	280							95	500							400	155								
125-250					470	250							355	80							160	330	32	80	35	10	140			
125-315	150	125	125	530	280		80	160	330	110	M16	120	400	315	14	32	80	35	10	150										
125-400					315								95	500							400	160								
150-250					470	280							400	100							200	360	32	80	35	10	140			
150-315	200	150	160	530	280		80	160	330	110	M20	150	550	450	14	42	110	45	12	160										
150-400					315	450							95	550							450	165								

* x : Back pull-out distance required between motor shaft end & pump shaft

Type LDP-X



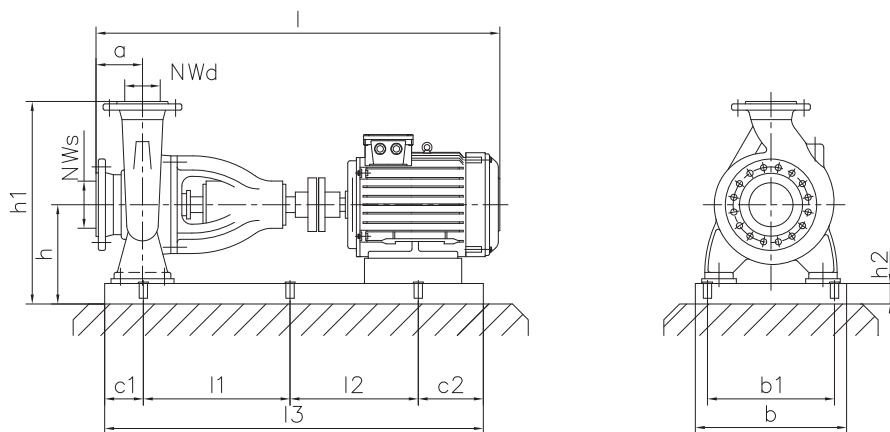
Detail only for
LDP-X 250-500

Pump size	Dimensions (mm)																				
	NW _s / NW _d	Length		Height		Feet & support mounting details												Shaft end		x*	
		a	f ₁	h ₁	h ₂	w ₁	b	m ₁	m ₂	m ₃	m ₄	n ₁	n ₂	n ₃	n ₄	w	S ₁	S ₂	d ₁		l ₁
150-200	200/150	160	470	280	370	-	100	200	150	-	-	550	450	-	-	-	-	-	32	80	146
200-330	250/200	200	552	325	450	-	100	250	200	28	50	700	575	160	110	392	23	15	42	110	146
200-400			660	370	470	-	125			700	575	465	55						186		
200-500	300/250	250	656	400	560	-	150	300	240	45	80	780	630	160	110	461	25	15	55	110	186
250-400			670	370	500	-	125					700	575								475
250-500	300/250	300	790	450	630	21	150	300	240	45	80	800	650	160	110	590	25	15	65	156	186
300-360	350/300	250	690	400	560	-	150	300	250			780	630						495	23	15

* x : Back pull-out distance required between motor shaft end & pump shaft

Unit dimensions

Type LDP-H



1450 RPM

Type	Motor		Suction/Delivery		Unit Dimensions																	
	kW	Frame	NW _s	NW _d	b	b ₁	c ₁	c ₂	a	h	h ₁	h ₂	l	l ₁	l ₂	l ₃						
32-125	0.75	80	50	32	220	160	25	25	80	192	332	80	728	0	750	800						
32-160	0.75	80	50	32	260	200				222	382	90										
32-200	0.75	80	50	32						250	430	70			767							
32-250	1.1	90S	50	32	360	300			100	250	475	70	793		850	900						
	1.5	90L											843									
	2.2	100L											843									
40-125	0.75	80	65	40	220	160			260	200	80	192	332		80	728	750	800				
40-160	0.75	80	65	40	260	200						222	382		90		747					
	1.1	90S										748										
40-200	0.75	80	65	40	260	200					100	250	430		90	767	850	900				
	1.1	90S														793						
	1.5	90L														793						
40-250	1.5	90L	65	40	360	300					100	250	475		70	843	950	1000				
	2.2	100L														978						
	3															998						
40-315	3	100L	65	40	360	300					125	295	545		70	1043	1070	1120				
	4	112M														748						
	5.5	132S														767						
50-125	0.75	80	65	50	260	200			100	250	430	90	748		850	900						
	1.1	90S											767									
50-160	0.75	80	65	50	260	200							100				250	430	90	748	850	900
	1.1	90S																		767		
	1.5	90L																		793		
50-200	1.5	90L	65	50	360	300							100				250	475	70	843	950	1000
	1.5	100L					863															
50-250	2.2	100L	65	50	360	300	125	295					575	70			1043	1070	1120			
	3																1083					
	4	112M															748					
50-315	5.5	132S	65	50	360	300	125	295					575	70			767	850	900			
	7.5	132M															793					
65-125	0.75	80	80	65	300	240	100	260	460	100	767	850	900									
	1.1	90S									793											
	1.5	90L									793											
65-160	1.1	90S	80	65	300	240					100	260	465	100	843	850	900					
	1.5	90L													843							
	2.2	100L													843							

1450 RPM

Type	Motor		Suction/Delivery		Unit dimensions											
	kW	Frame	NW _s	NW _d	b	b ₁	c ₁	c ₂	a	h	h ₁	h ₂	l	l ₁	l ₂	l ₃
65-200	2.2	90L	80	65	360	300			100	250	475	70	843		850	900
	3	100L											863			
	4	112M											973			
65-250	4	112M	80	65						282	532		1018		950	1000
	5.5	132S											1043			
65-315	5.5	132S	80	65	400	340				310	590	75	1083		1100	1150
	7.5	132M											1186			
	11	160M											818			
80-160	1.5	90L	100	80	360	300				250	475	70	863		850	900
	2.2	100L											978			
80-200	3	100L	100	80							500		998		950	1000
	4	112M											1043			
	5.5	132S											1083			
80-250	5.5	132S	100	80	400	340	25	25	125	285	565	75	1083		1100	1150
	7.5	132M											1186			
	11	160M											1083			
80-315	7.5	132M	100	80	400	340						75	1083			
	11	160M											1186			
	15	160L											1226			
	18.5	180M											1248			
100-200	3	100L	125	100	360	300						70	978		950	1000
	4	112M											998			
	5.5	132S											1043			
	7.5	132M											1083			
100-250	7.5	132M	125	100						310	590	75	1098		1100	1150
	11	160M											1021			
	15	160L											1241			
100-315	15	160L	125	100	400	340						75	1263		1200	1250
	18.5	180M											1298			
	22	180L											1358			
	30	200L											1403			
100-400	22	180L	125	100	550	510	35	215		395	750	100	1443		1050	1300
	30	200L											1493			
	37	225S											1403			
125-250	11	160M	150	125	400	340	25	25	140			75	1201			
	15	160L											1255			
	18.5	180M											1263			
	22	180L											1298			
125-315	15	160L	150	125	550	510	35	195				100	1327		1020	
	18.5	180M											1363			
	22	180L											1403			
	30	200L											1443			
125-400	30	200L	150	125	650	600	110	280				120	1493		1110	1400
	37	225S											1518			
	45	225M											1573			
	55	250M											1663			
150-315	22	180L	200	150	600	560	35	215				100	1423		1050	1300
	30	200L											1463			
	37	225S											1513			
	45	225M											1538			
	55	250M											1593			
150-400	55	250M	200	150	690	640	110	280				120	1663		1020	1410
	75	280S											1663			
	90	280M											1713			

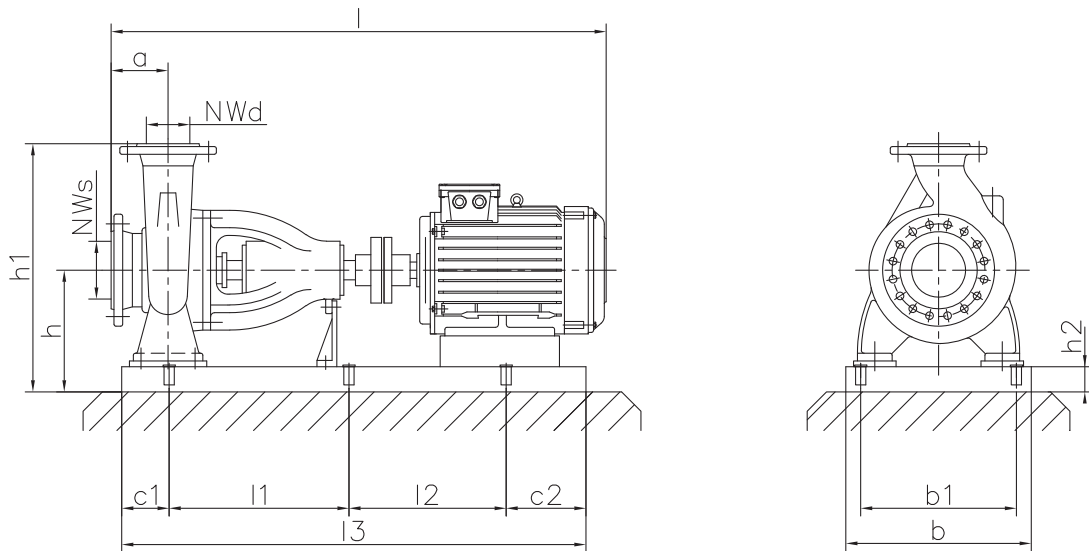
2900 RPM

Type	Motor		Suction/ Delivery		Unit dimensions																									
	kW	Frame	NW _s	NW _d	b	b ₁	c ₁	c ₂	a	h	h ₁	h ₂	l	l ₁	l ₂	l ₃														
32-125	0.75	80	50	32	220	160	25	25	80	192	332	80	728	0	750	800														
	1.1												747																	
	1.5	773																												
	2.2	90L																												
32-160	1.5	90S	50	32	260	200	25	25		80	222	382	90		747	0	850	900												
	2.2	90L													773															
	3	100L													823															
	4	112M													843															
32-200	3	100L	50	32	300	240	25	25			80	255	435		100		823	0	850	900										
	4	112M										252	432				843													
	5.5	132S										262	442				888													
	7.5											908																		
32-250	7.5	132S	50	32	360	300	25	25	100			250	475	70	1051		0		950	1000										
	11	160M													908															
	15														1051															
40-125	1.1	80	65	40	220	160	25	25				80	192	332	80				728	0	750	800								
	1.5	90S								747																				
	2.2	90L								773																				
	3	100L								823																				
	4	112M								260						200			25				25	80	202	342	90	843	850	900
3	100L																													
40-160	4	112M	65	40	260	200	25	25		80	222		382	90	843	0		850	900											
	5.5	132S													232						392	100	888							
	7.5	160M													252						432	90	863							
11	1051																													
40-200	4	112M	65	40	300	200	25	25	100		252		432	90	863		0	950	1000											
	5.5	132S													262						442	100	908							
	7.5											230								410				70	1051					
	11	160M										250			475					908										
40-250	5.5	132S	65	40	360	300	25	25			100	250	475	70	908			0	850	900										
	7.5														1051															
	11	160M													230						410	70	1051							
	15																							990	1040					
50-125	2.2	90L	65	50	260	200	25	25		100		222	382	90	753	0			850	900										
	3	100L													843															
	4	112M													863															
	5.5	132S													300						240	25	25	100	232	392	100	908	850	900
	7.5																													
50-160	4	112M	65	50	260	200	25	25	100			252	432	90	863		0		950	1000										
	5.5	132S													300						240	25	25	100	262	442	100	908	850	900
	7.5																													
	11	160M									360				300															
50-200	7.5	132S	65	50	300	240	25	25			100	262	462	100	948			0	850	900										
	11	160M													230						430	70	1051							
	15																													
50-250	11	160M	65	50	360	300	25	25		100		250	475	70	1051	0			950	1000										
	15														1094															
	18.5	160L													1117															
	22	180M													863															
65-125	4	112M	80	65	300	240	25	25				100	262	442	100				908	0	850	900								
	5.5	132S							360								300		25				25	100	230	410	70	1051	850	900
	7.5																													
	11	160M							300								240													
65-160	7.5	132S	80	65	300	240	25	25	100				262	442	100		908		0		850	900								
	11	160M									230						410	70					1051							
	15																													
	18.5	160L									1094																			

2900 RPM

Type	Motor		Suction/ Delivery		Unit dimensions											
	kW	Frame	NW _s	NW _d	b	b ₁	c ₁	c ₂	a	h	h ₁	h ₂	l	l ₁	l ₂	l ₃
65-200	11	160M	80	65	360	300	25	25	100	250	475	70	1051	0	950	1000
	15												1094			
	18.5	160L											1151			
	22	180M											1211			
65-250	30	200L	80	65	360	300	25	25	100	285	535	70	1161	0	1200	1250
	37	1201														
	45	225M											1223			
	30	200L											1318			
	45												225M			
80-160	11	160M	100	80	360	300	25	25	125	250	475	70	1086	0	950	1000
	15												1126			
	18.5	160L											1148			
	22	180M											1186			
80-200	15	160M	100	80	360	300	25	25	125	285	565	75	1226	0	1200	1250
	18.5	160L											1283			
	22	180M											1343			
	30	200L											1413			
37	200L		1413													
80-250	30	200L	125	80	400	340	130	280	125	345	625	75	1413	0	890	1300
	37												1498			
	45	225M											1568			
	55	250M											1568			
100-200	18.5	160L	125	100	360	300	25	25	125	285	565	70	1226	0	1200	1250
	22	180M											1273			
	30	200L											1343			
	37												200L			
	45	225M											1538			
	55	250M											1538			
55	250M	1538														
100-250	55	250M	125	100	620	570	100	250	140	408	688	140	1553	0	960	1310
	75	280S											1588			
	90	280M											1638			
	110	315S											1673			
					680	630		260		436	716				1015	1400
					620	620		280		495	775	160	1673		1705	1040

Type LDP-X



1450 RPM

Type	Motor		Suction/Delivery		Unit dimensions												
	kW	Frame	NW _s	NW _d	b	b ₁	c ₁	c ₂	a	h	h ₁	h ₂	l	l ₁	l ₂	l ₃	
150-200	5.5	132S	200	150	710	650	120	240	160	360	730	80	1124	0	740	1100	
	7.5	132M						220					1154		760		
	11	160M						210					1244		820		
200-330	15	160L	250	200	710	650	150	250	200	405	855	100	1411	0	900	1300	
	18.5	180M						225					1436		925		
	22	180L						270					1476		930		
	30	200L						300					1516		950	1400	
	37	225S						250					1581		1000		
	45	225M						300					1606			1000	1450
	55	250M						350					1681		1500		
	75	280S						400					1726		1100	1650	
	90	280M						400					1766				
	200-400	30						200L					250		200	860	800
37		225S	240	1689	1110												
45		225M	300	1714	1100	1550											
55		250M	350	1789	1100		1600										
75		280S	400	1834	1200	1700											
90		280M	400	1874													
110		315S	400	2054	1750												
132		315M	450	2164		1300	1850										
200-500	37	225S	250	200	940	880	150	250	250	500	1060	100	1685	0	1500		
	45	225M						300					1710			1100	1550
	55	250M						350					1785		1600		
	75	280S						400					1830			1200	1700
	90	280M						400					1870				
	110	315S						450					2050		1750		
	132	315M						450					2160			1300	1900
	160	315L						400					2160		1850		
	250	355M						450					2430		750	750	2100
	315	355L						550					2600		200	2430	750
250-400	37	225S	300	250	860	800	150	230	250	470	970	100	1749	0	1120	1500	
	45	225M						300					1774		1100	1550	
	55	250M						350					1849		1150	1600	
	75	280S						350					1894		1200	1700	
	90	280M						350					1934				
	110	315S						400					2114		1750		
	132	315M						450					2224			1300	1900
	250	355M						550					2494		750	750	2200

1450 RPM

Type	Motor		Suction/Delivery		Unit dimensions																		
	kW	Frame	NW _s	NW _d	b	b ₁	c ₁	c ₂	a	h	h ₁	h ₂	l	l ₁	l ₂	l ₃							
250-500	45	225M	300	250	960	900	170	280	300	550	1180	100	1944	0	1250	1700							
	55	250M											2019				1300	1750					
	75	280S											2064										
	90	280M											2104										
	110	315S											2284						1400	1900			
	132	315M											2394								700	700	2000
	250	355M											2664								750	750	2250
	315	355L																			650	650	2300
	400	400											2975								900	900	2600
300-360	45	225M	350	300	940	880	170	280	250	500	1060	100	1794	0	1150	1600							
	55	250M											1869				1200	1650					
	75	280S											1914										
	90	280M											1954										
	110	315S											2134						1300	1800			
	132	315M											2244								700	700	2000
	250	355M											2514								750	750	2200
	315	355L																			600	1160	200
	400	400											2825								850	850	2500



WATER BRINGS LIFE. WE BRING WATER.



HEAD OFFICE
DRAKOS - POLEMIS SA
KOLOKOTRONI St 16, KRYONERI, ATTICA, GREECE
TEL.: +30 (210) 8161402, FAX: +30 (210) 8161262
info@dppumpsgroup.com
www.dppumps.global